

U. S. A A Type 5.5x12x4.9m (18' x 40' x 16') RV Garage  
Single Roller Door 4.3x4.3m (14'x14') + One Small Door



**STL INDUSTRIAL LLC**

1356 N 107TH ST  
MESA AZ 85207  
400-993-4000  
[www.stlindustrial.com](http://www.stlindustrial.com)

# M10\*150 expansion bolt

M10\*150 expansion bolt used for connecting the ground beam to the concrete slab  
 2 pieces M10\*150 expansion bolts for each ground beam



1. When using this drawing, please refer to the professional drawings at the same time. If you have any questions, please contact the designer in time.
2. The construction company shall not change the drawings of will. All changes must be approved by the designer.
3. Please do not measure this figure on a scale, all dimensions are based on the figures in the
4. The version of this drawing belongs to our company.



1356 N 107TH ST  
 MESA AZ 85207  
 400-993-4000  
 www.stlindustrial.com

PROJECT NAME

24'X24'X8' Two Cars Garage

BUILDING LOCATION

U.S.A.

DWG.NAME

Pillars Layout

DESIGN

SANHE

CHECKED BY

SANHE

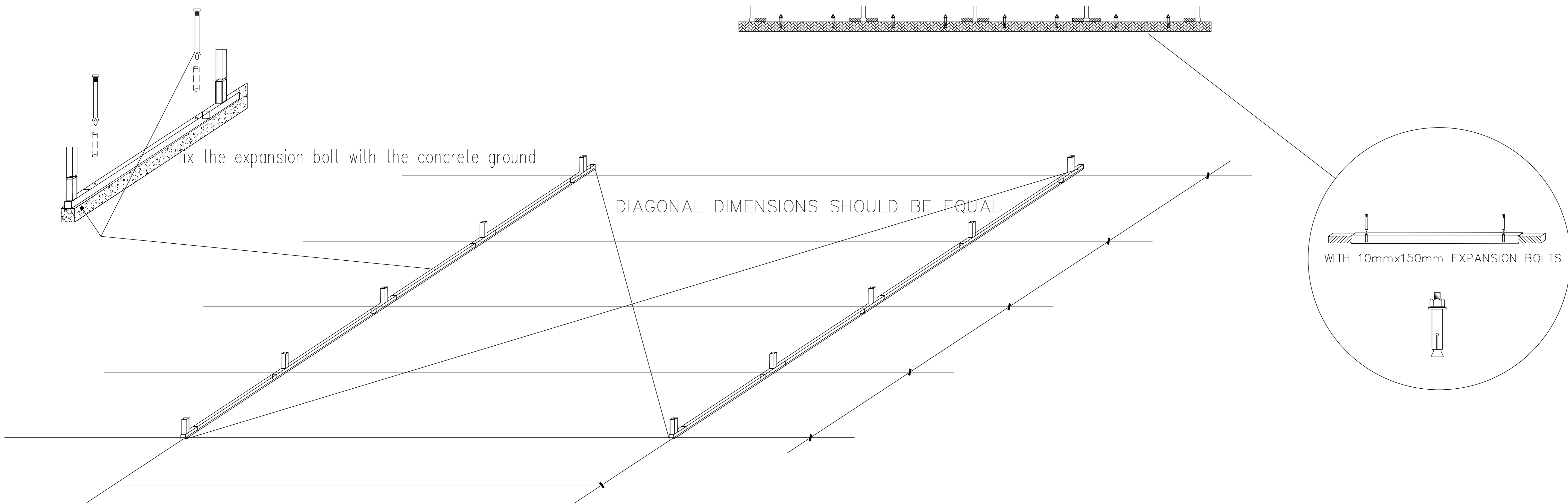
PHASE

DATE

2023-7

Drawing NO. 01

Project NO. 10/07



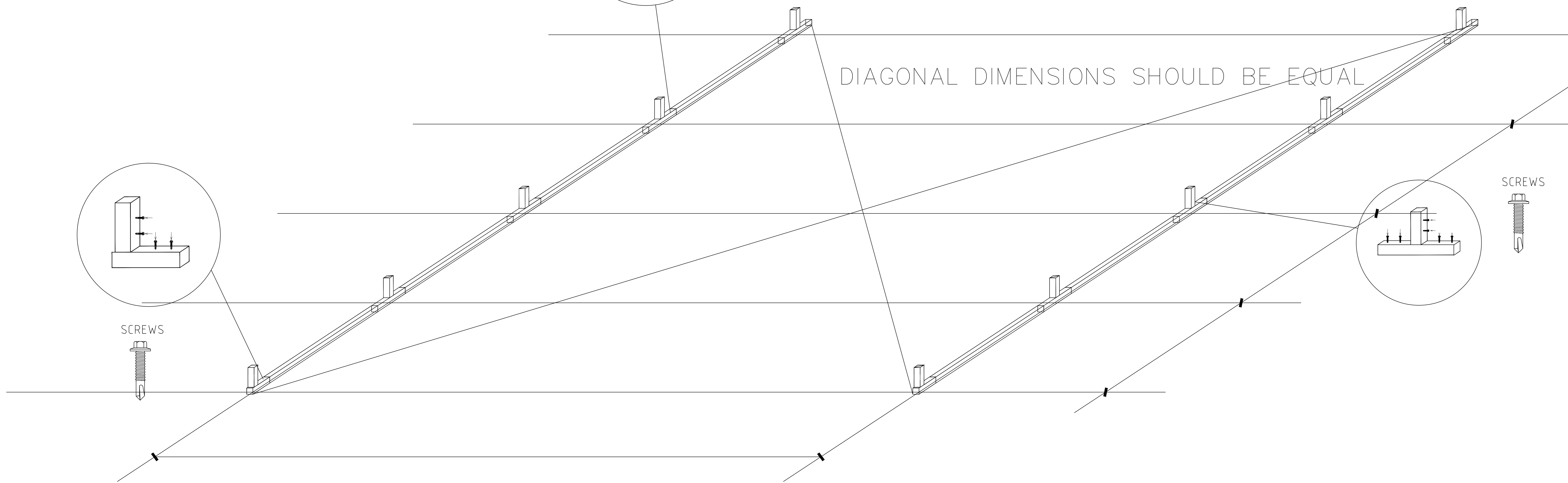
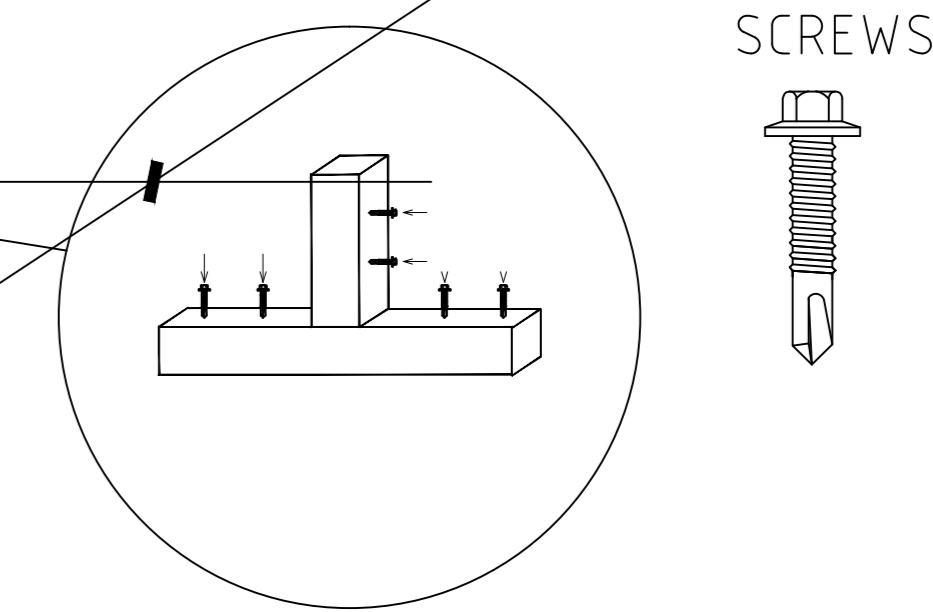
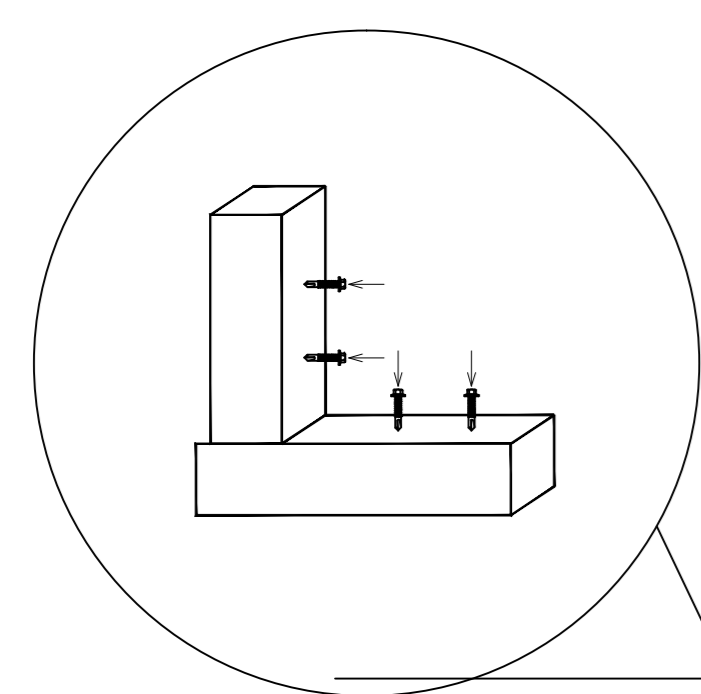
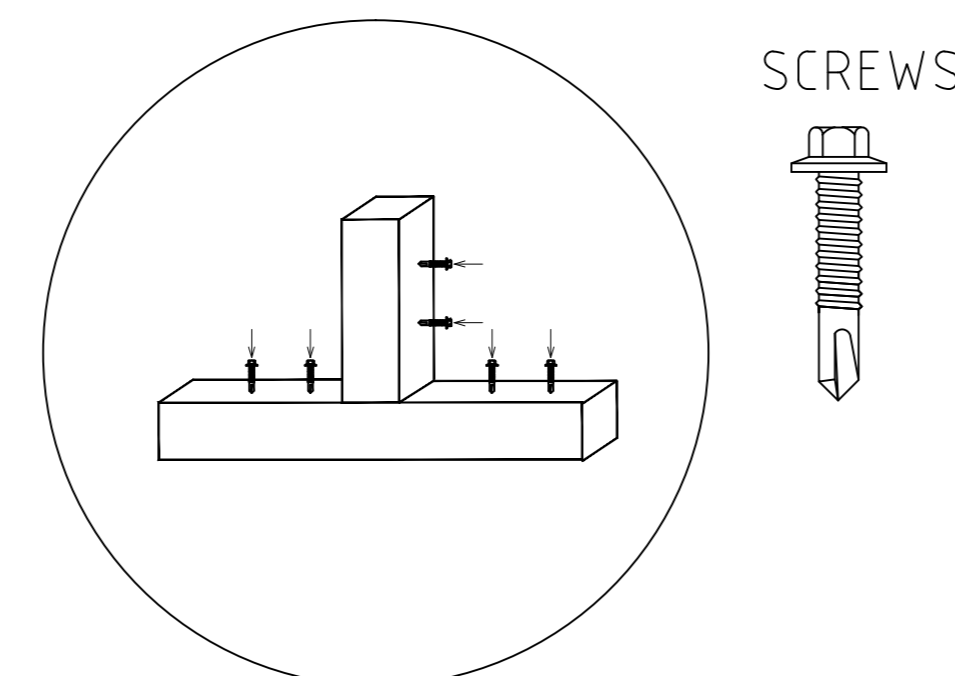


# high strength drilling screw

the high strength drilling screws used for connecting the T/L ground joint to the steel frame

4 screws for L ground joint

6 pieces for T ground joint



1. When using this drawing, please refer to the professional drawings at the same time. If you have any questions, please contact the designer in time.
2. The construction company shall not change the drawings at will. All changes must be approved by the designer.
3. Please do not measure this figure on a scale, all dimensions are based on the figures in the figure.
4. The version of this drawing belongs to our company.



1356 N 107TH ST  
MESA AZ 85207  
400-993-4000  
www.stlindustrial.com

PROJECT NAME	
24'X24'X8' Two Cars Garage	
BUILDING LOCATION	
U.S.A.	
DWG.NAME	
Pillars Layout	
DESIGN	
SANHE	
CHECKED BY	
SANHE	
PHASE	
DATE	
2023-7	
Drawing NO.	02
Project NO.	10/07



# high strength drilling screw



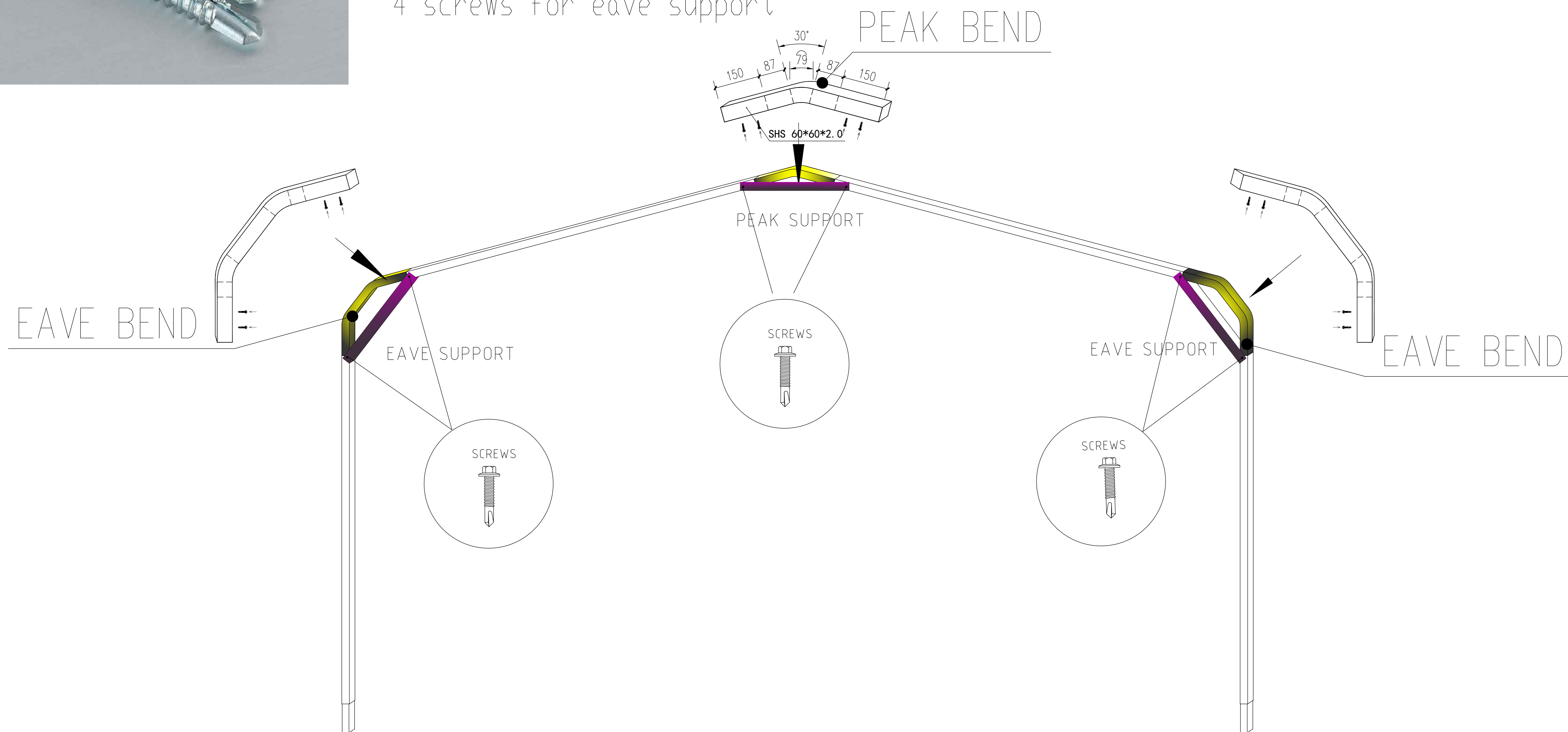
the high strength drilling screws used for connecting the peak bend, eave bend, peak support, eave support to the steel frame

4 screws for peak bend

4 screws for eave bend

4 screws for peak support

4 screws for eave support



1. When using this drawing, please refer to the professional drawings at the same time. If you have any questions, please contact the designer in time.

2. The construction company shall not change the drawings at will. All changes must be approved by the designer.

3. Please do not measure this figure on a scale, all dimensions are based on the figures in the

4. The version of this drawing belongs to our company.



1356 N 107TH ST  
MESA AZ 85207  
400-993-4000  
www.stlindustrial.com

PROJECT NAME

24'X24'X8' Two Cars Garage

BUILDING LOCATION

U.S.A.

DWG.NAME

Pillars Layout

DESIGN

SANHE

CHECKED BY

SANHE

PHASE

DATE

2023-7

Drawing NO. 03

Project NO. 10/07





## high strength drilling screw

the high strength drilling screws used for connecting the roof purlin to the beam, it has holes on the purlin



1. When using this drawing, please refer to the professional drawings at the same time. If you have any questions, please contact the designer in time.
2. The construction company shall not change the drawings at will. All changes must be approved by the designer.
3. Please do not measure this figure on a scale, all dimensions are based on the figures in the figure.
4. The version of this drawing belongs to our company.



1356 N 107TH ST  
MESA AZ 85207  
400-993-4000  
www.stlindustrial.com

PROJECT NAME

24'X24'X8' Two Cars Garage

BUILDING LOCATION

U.S.A.

DWG.NAME

Pillars Layout

DESIGN

SANHE

CHECKED BY

SANHE

PHASE

DATE

2023-7

Drawing NO. 04

Project NO. 10/07

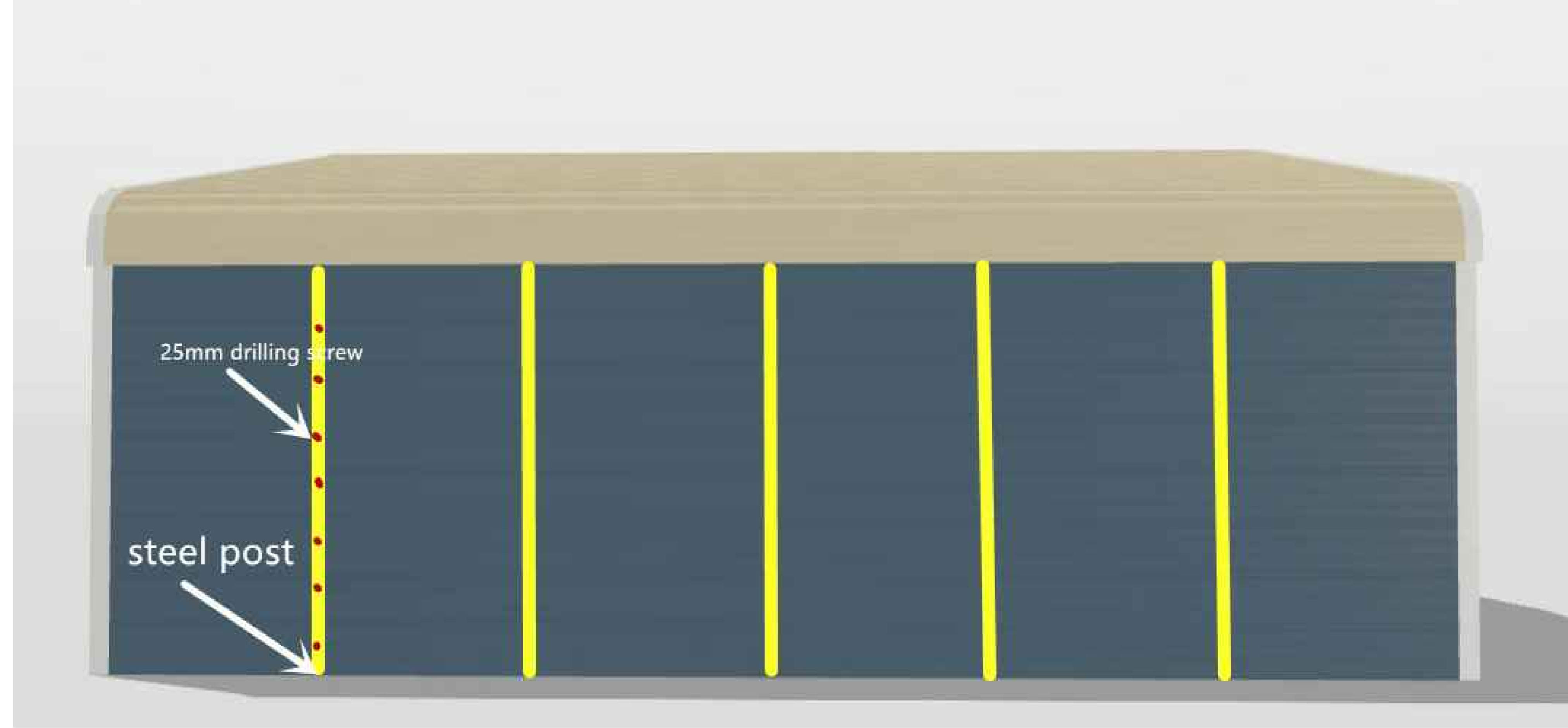




# the 25mm drilling screw

the 25mm drilling screws used for connecting the roof and wall panel to the steel frame, fixing the trims also.

fixing the 5 screws each panel and posts connection part, for there are 5 waves



1. When using this drawing, please refer to the professional drawings at the same time. If you have any questions, please contact the designer in time.
2. The construction company shall not change the drawings at will. All changes must be approved by the designer.
3. Please do not measure this figure on a scale, all dimensions are based on the figures in the figure.
4. The version of this drawing belongs to our company.



1356 N 107TH ST  
MESA AZ 85207  
400-993-4000  
www.stlindustrial.com

PROJECT NAME	
24'X24'X8' Two Cars Garage	
BUILDING LOCATION	
U.S.A.	
DWG.NAME	
Pillars Layout	
DESIGN	
SANHE	
CHECKED BY	
SANHE	
PHASE	
DATE	
2023-7	
Drawing NO.	05
Project NO.	10/07



# Steel Frame and Panel Installation Steps

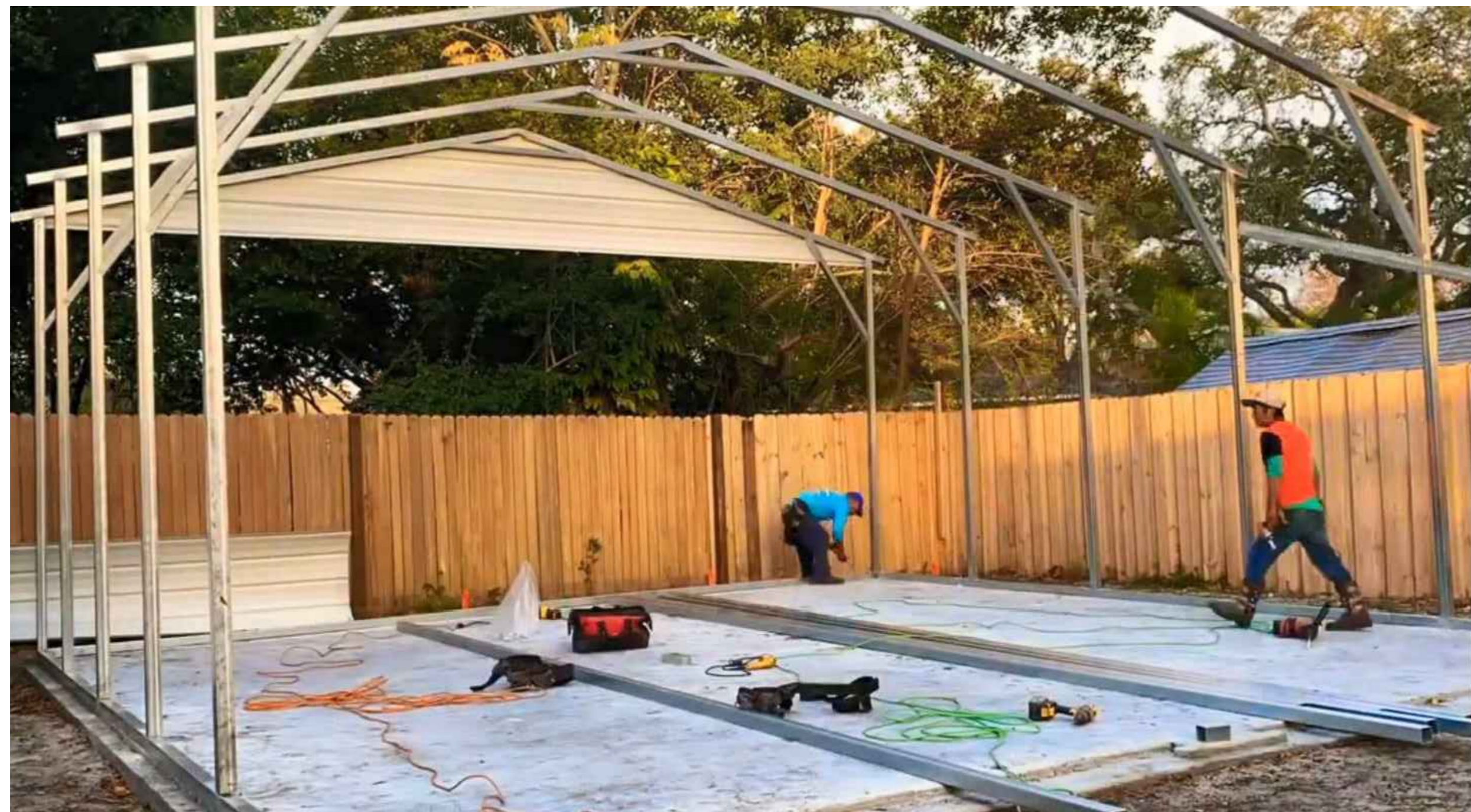
1: Install the front and back wall steel frame on the ground.



2: Fix the arc-cut wall panel with the screws.



3: Install the whole garage steel frame structure.



4: Install the roof panel from the roof center.



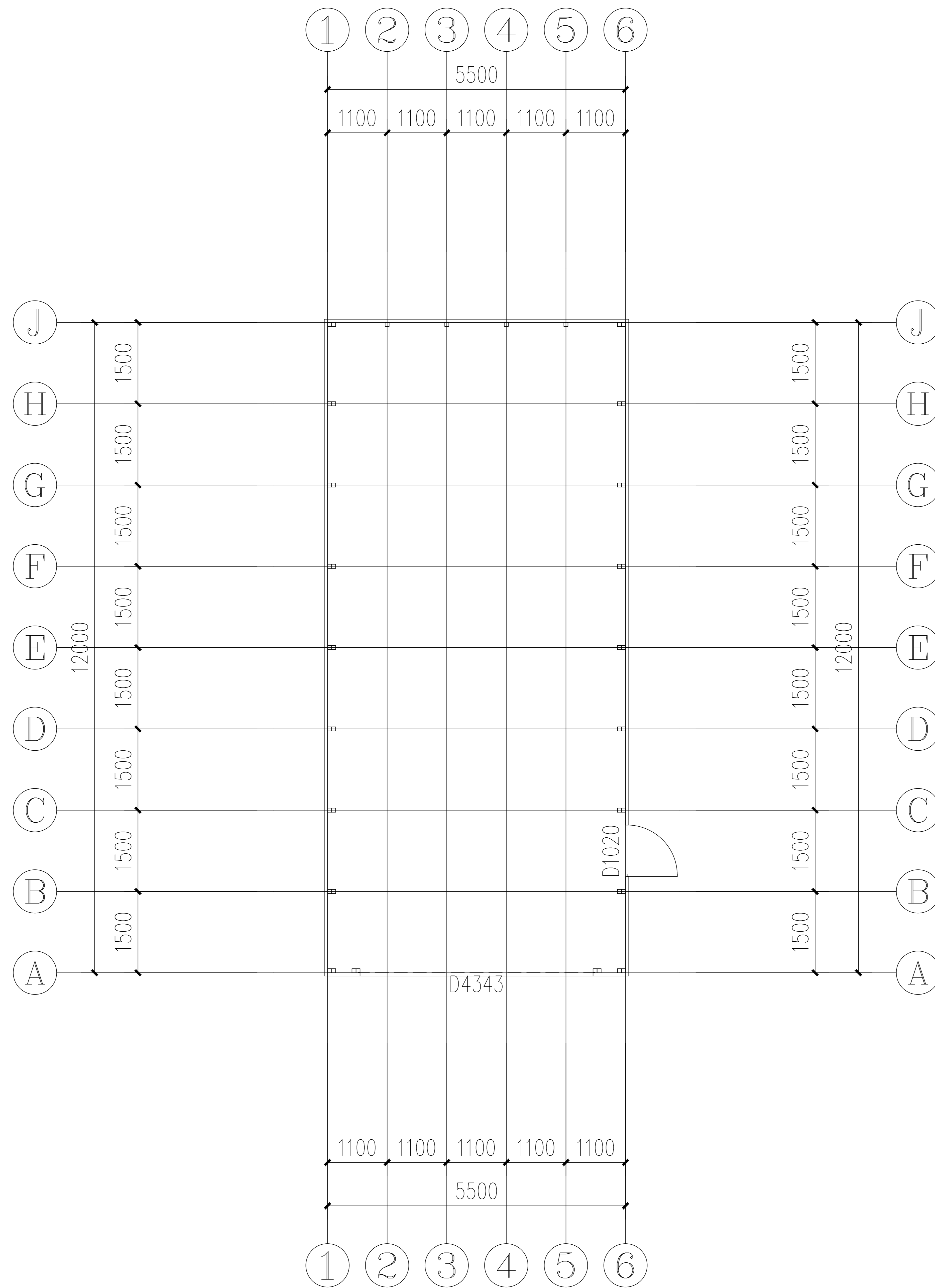
5: Install the side wall panel from the eave to the ground.



6: Install the front and back left wall panel.







**Garage Pillars Layout 1:100**

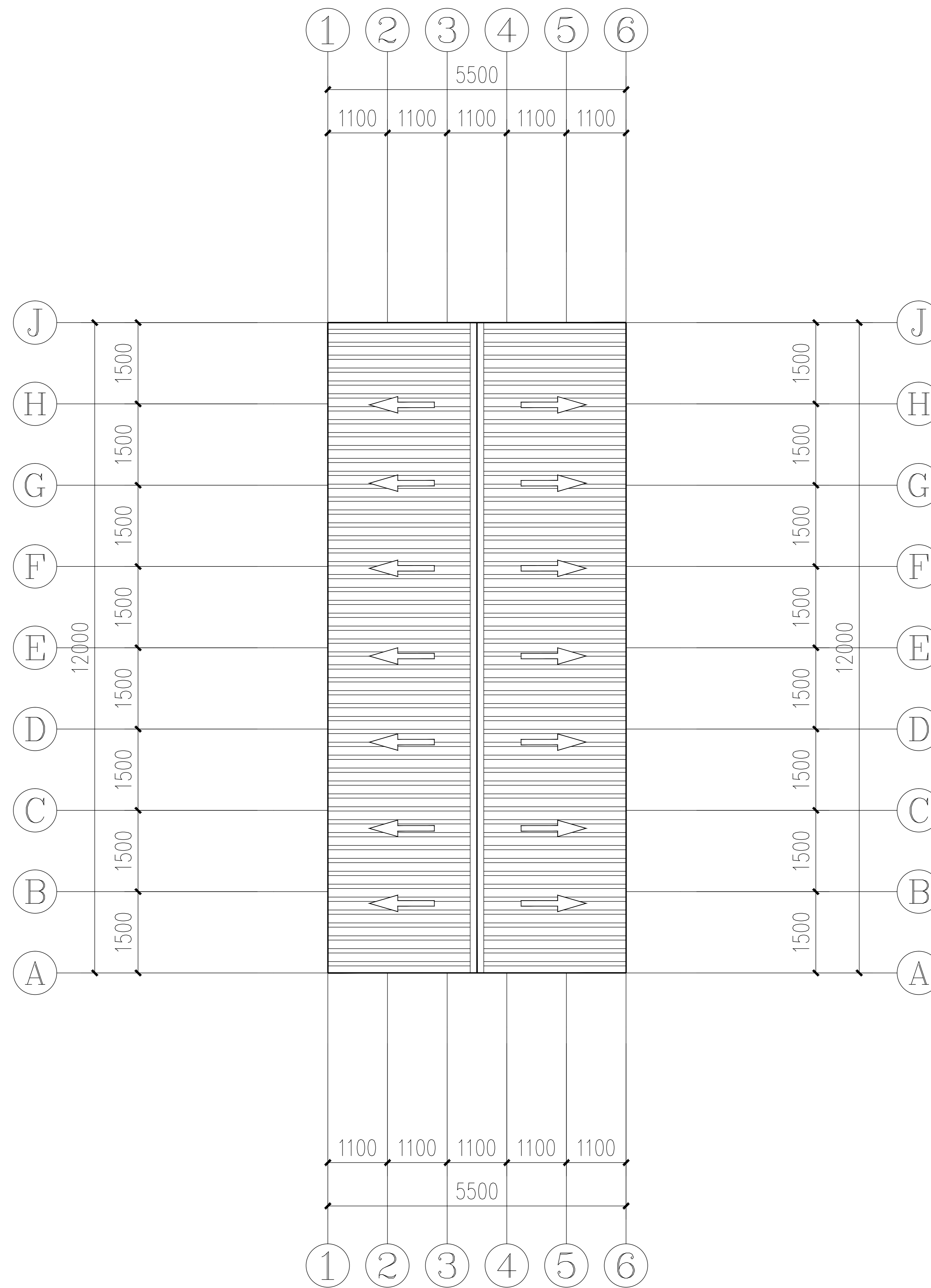
1. When using this drawing, please refer to the professional drawings at the same time. If you have any questions, please contact the designer in time.
2. The construction company shall not change the drawings at will. All changes must be approved by the designer.
3. Please do not measure this figure on a scale, all dimensions are based on the figures in the figure.
4. The version of this drawing belongs to our company.



1356 N 107TH ST  
 MESA AZ 85207  
 400-993-4000  
 www.stlindustrial.com

PROJECT NAME	24'X24'X8' Two Cars Garage
BUILDING LOCATION	U.S.A.
DWG.NAME	Pillars Layout
DESIGN	SANHE
CHECKED BY	SANHE
PHASE	
DATE	2023-7
Drawing NO.	06
Project NO.	10/07





**Garage Roof Plan 1:100**

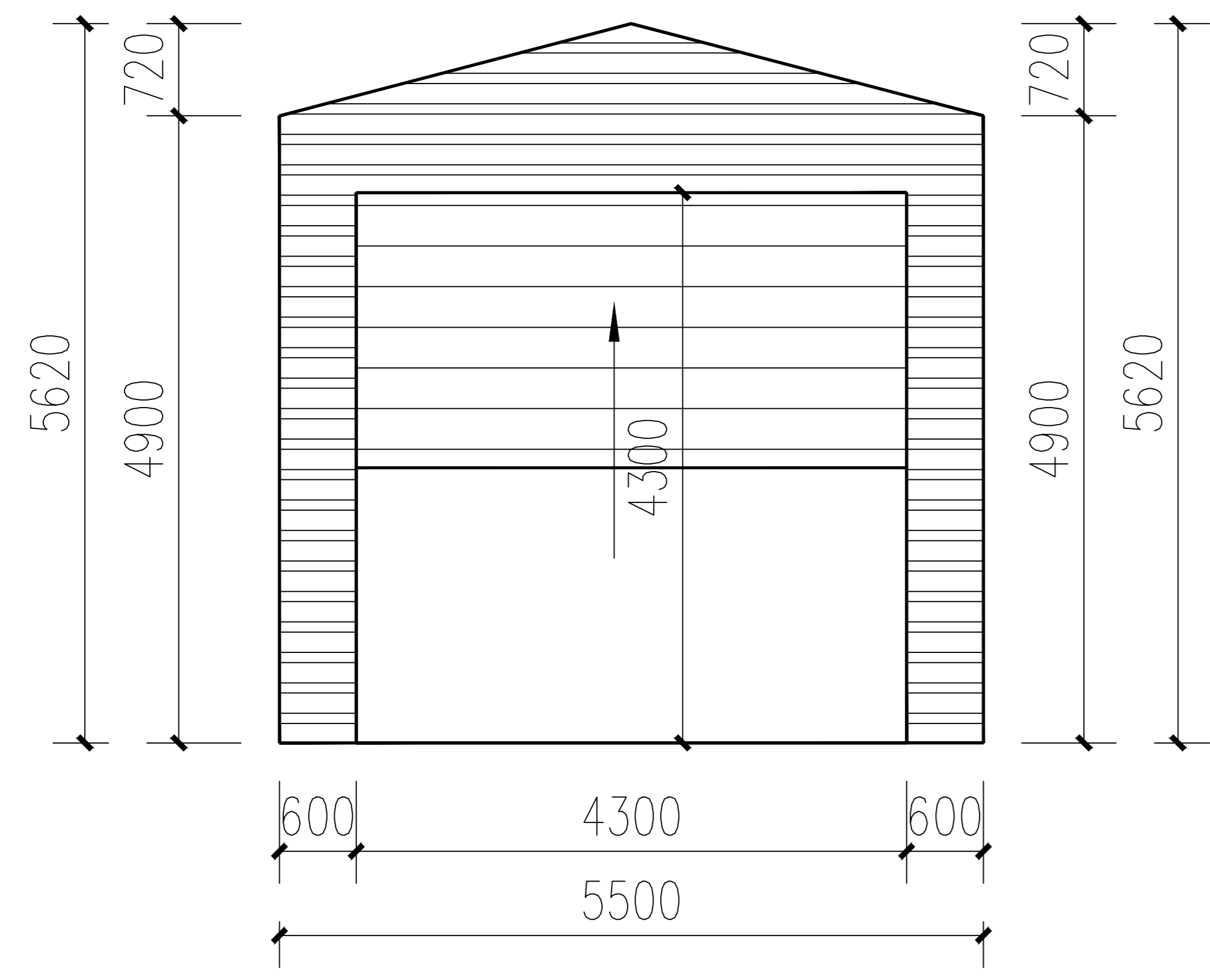
1. When using this drawing, please refer to the professional drawings at the same time. If you have any questions, please contact the designer in time.
2. The construction company shall not change the drawings at will. All changes must be approved by the designer.
3. Please do not measure this figure on a scale, all dimensions are based on the figures in the figure.
4. The version of this drawing belongs to our company.



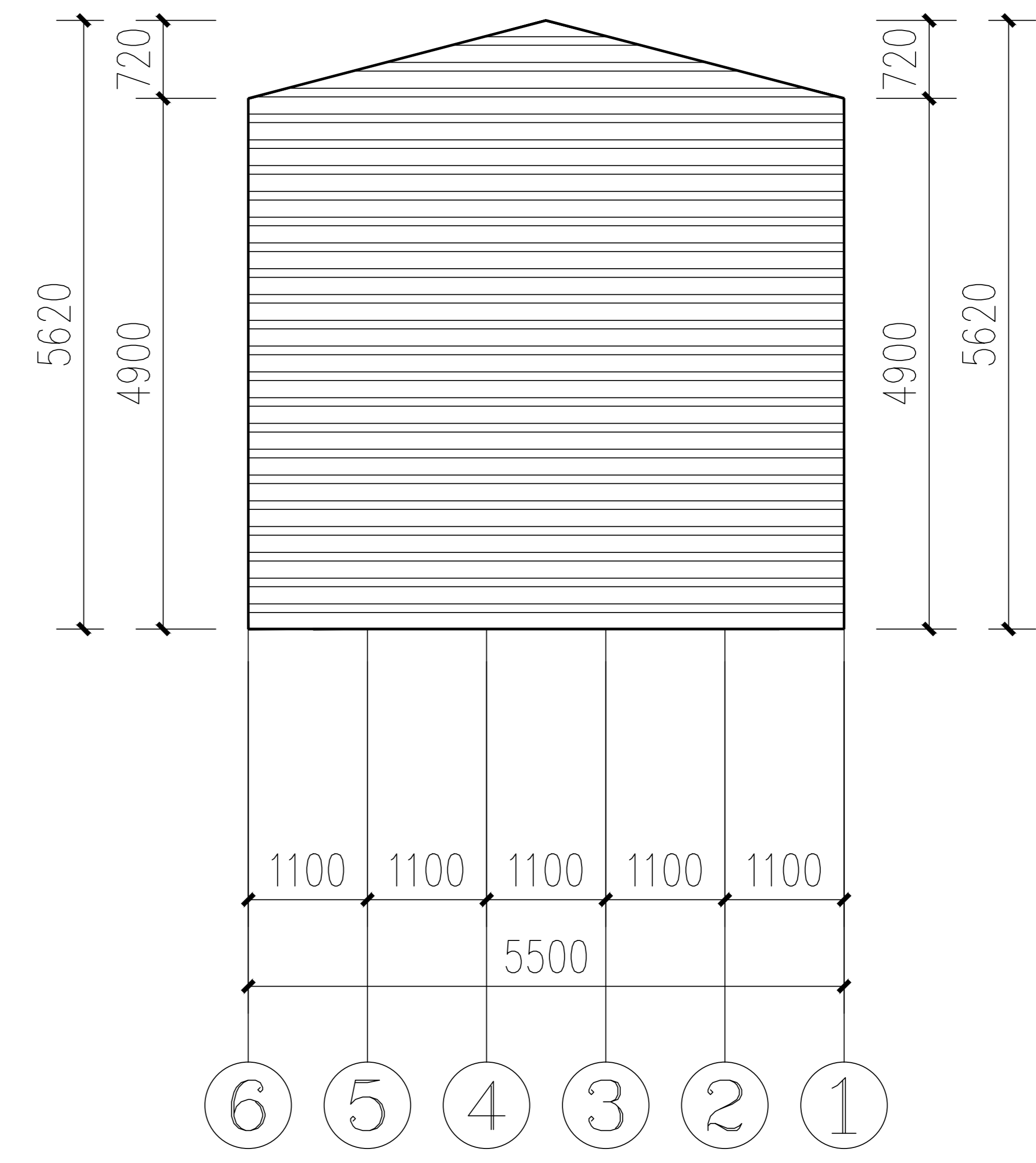
1356 N 107TH ST  
 MESA AZ 85207  
 400-993-4000  
 www.stlindustrial.com

PROJECT NAME	24'x24'x8' Two Cars Garage
BUILDING LOCATION	U.S.A.
DWG.NAME	Pillars Layout
DESIGN	SANHE
CHECKED BY	SANHE
PHASE	
DATE	2023-7
Drawing NO.	07
Project NO.	10/07

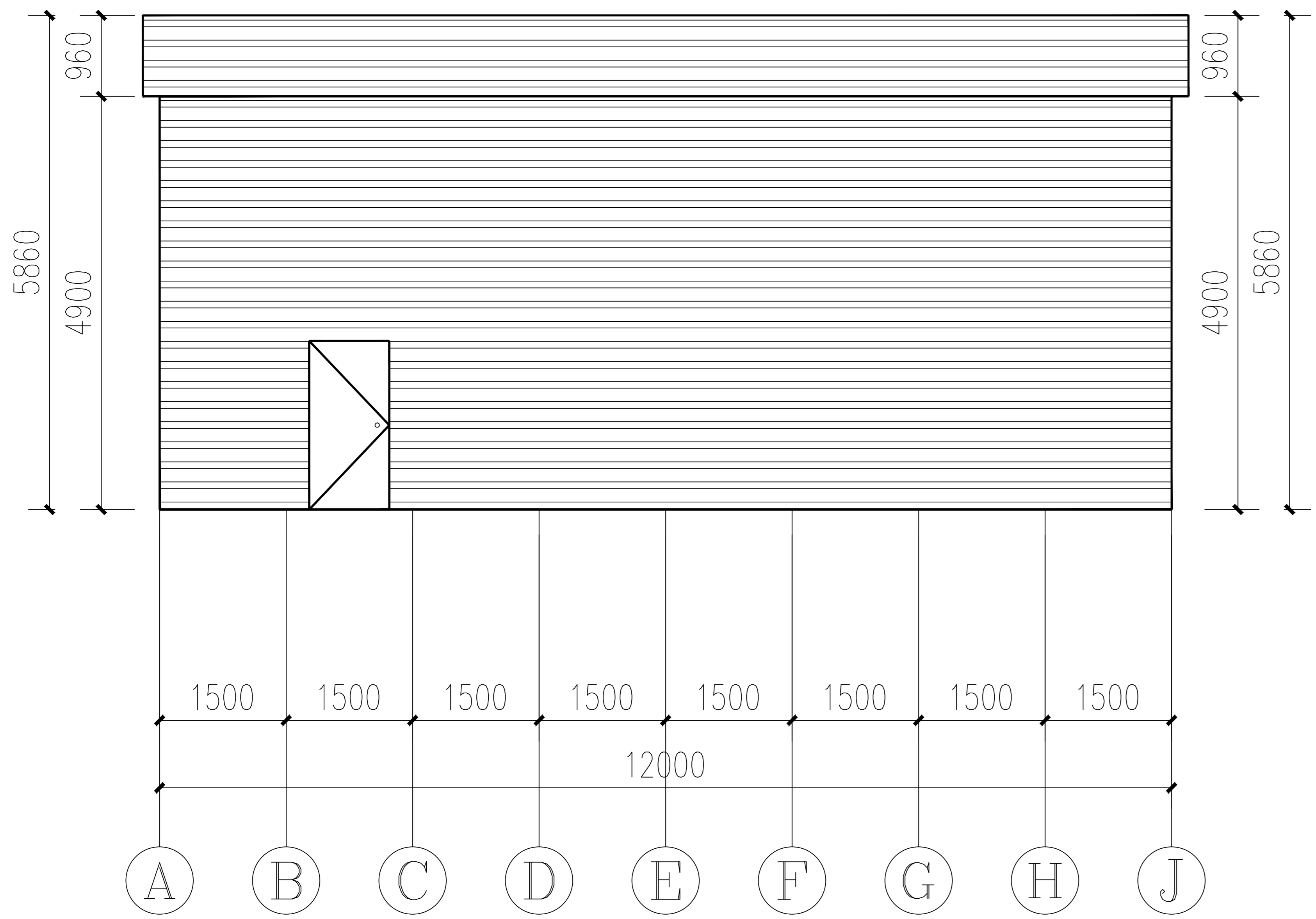




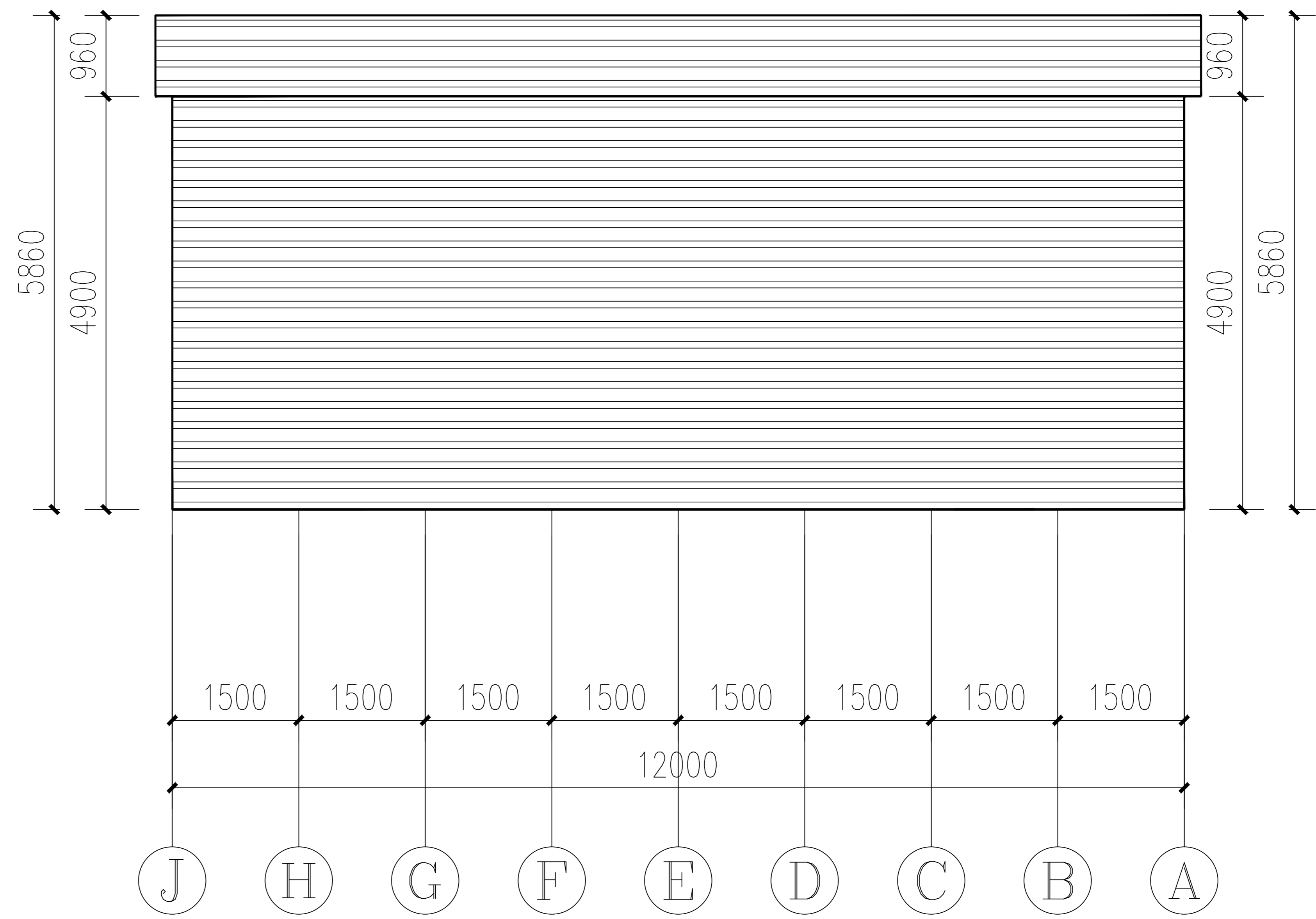
**Garage Front Wall 1:100**



**Garage Back Wall 1:100**



**Garage Right Wall 1:100**



**Garage Left Wall 1:100**

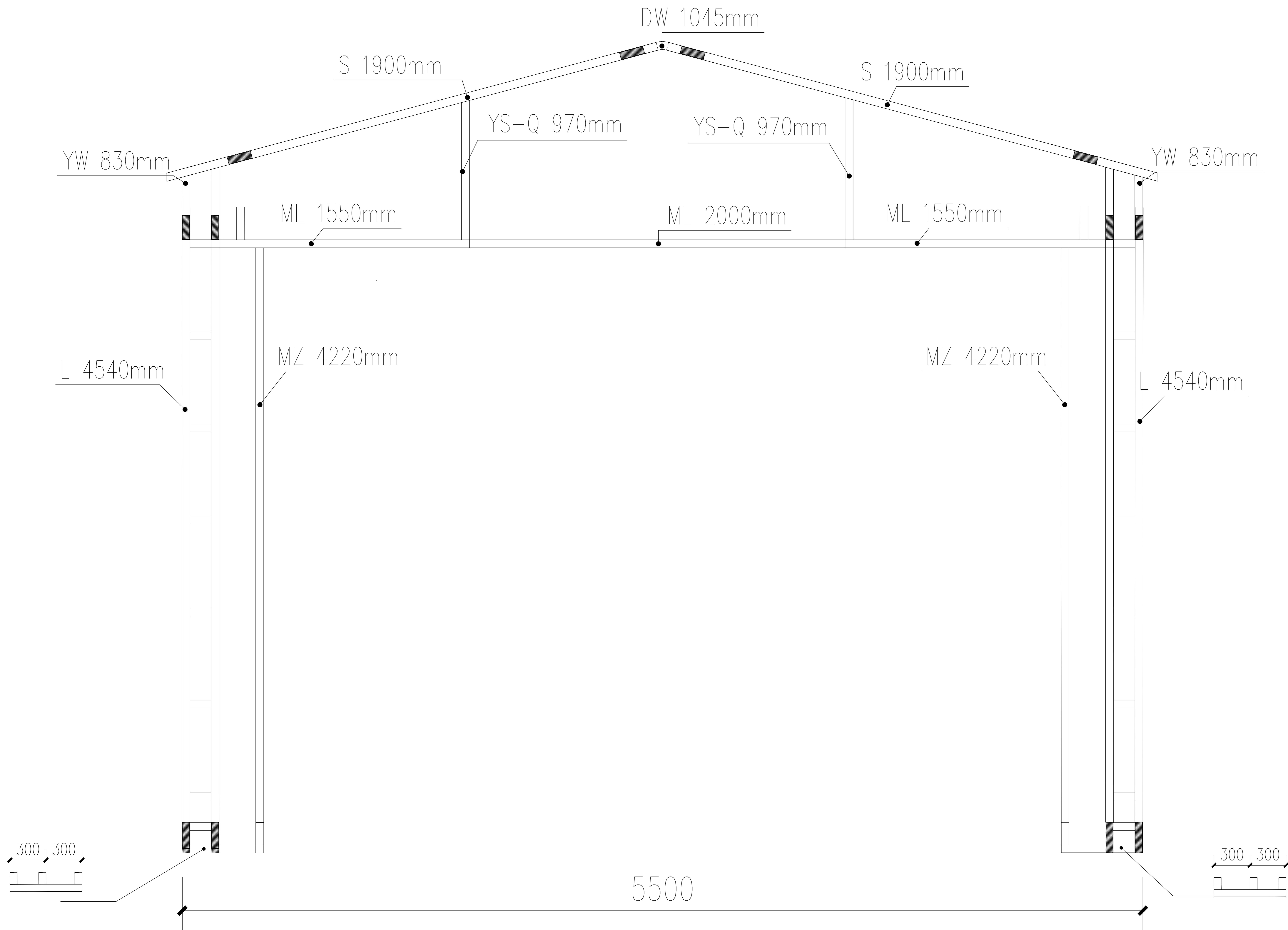
1. When using this drawing, please refer to the professional drawings at the same time. If you have any questions, please contact the designer in time.
2. The construction company shall not change the drawings at will. All changes must be approved by the designer.
3. Please do not measure this figure on a scale, all dimensions are based on the figures in the drawing.
4. The version of this drawing belongs to our company.



1356 N 107TH ST  
MESA AZ 85207  
400-993-4000  
www.stlindustrial.com

PROJECT NAME	
24'X24'X8' Two Cars Garage	
BUILDING LOCATION	
U.S.A.	
DWGNAME	
Pillars Layout	
DESIGN	
SANHE	
CHECKED BY	
SANHE	
PHASE	
DATE	
2023-7	
Drawing NO.	08
Project NO.	10/07





FRAME A 1:300

1. When using this drawing, please refer to the professional drawings at the same time. If you have any questions, please contact the designer in time.
2. The construction company shall not change the drawings at will. All changes must be approved by the designer.
3. Please do not measure this figure on a scale, all dimensions are based on the figures in the drawing.
4. The version of this drawing belongs to our company.



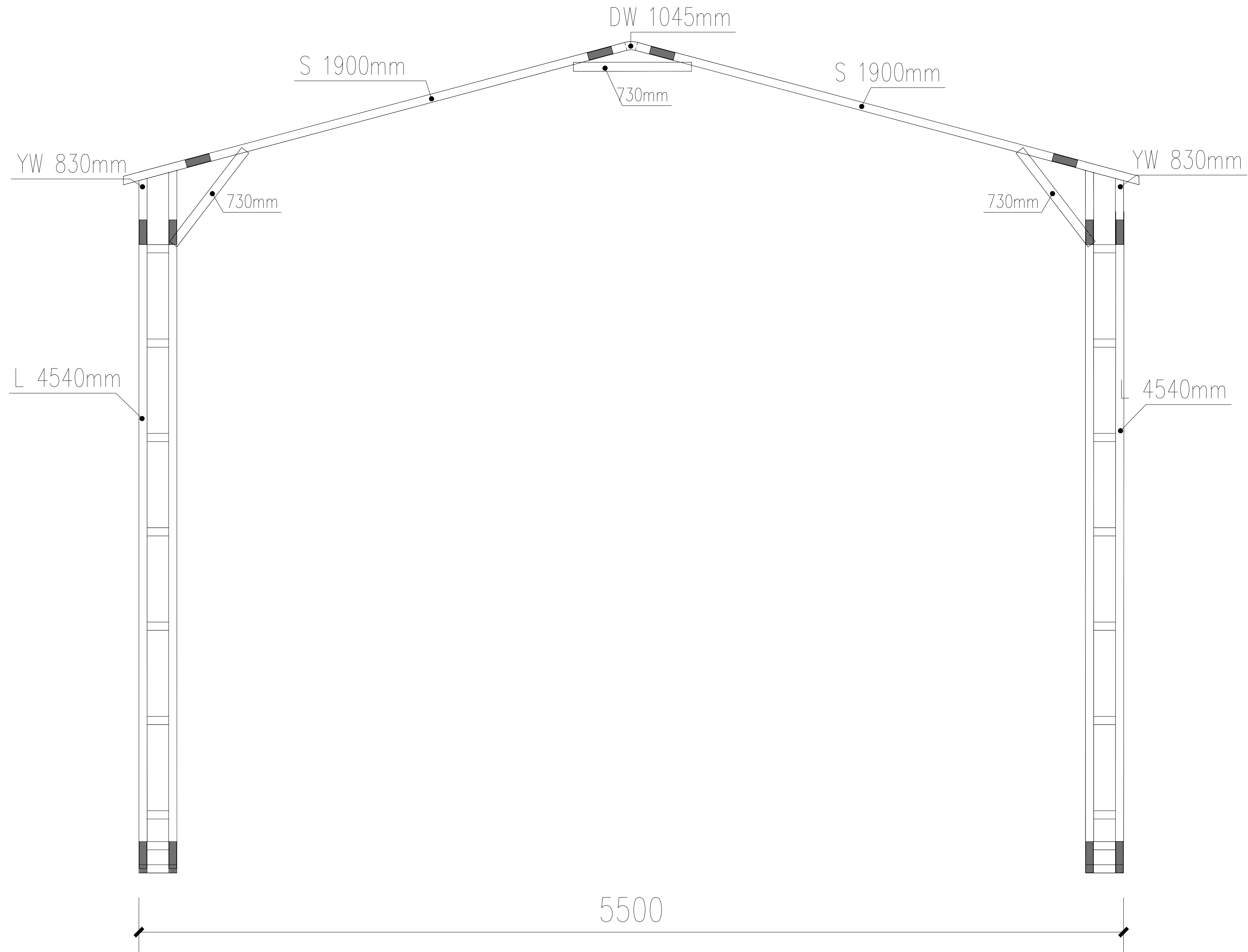
1356 N 107TH ST  
 MESA AZ 85207  
 400-993-4000  
 www.stlindustrial.com

PROJECT NAME	24'x24'x8' Two Cars Garage
BUILDING LOCATION	U.S.A.
DWG.NAME	Pillars Layout
DESIGN	SANHE
CHECKED BY	SANHE
PHASE	

DATE  
 2023-7

Drawing NO. 09  
 Project NO. 10/07





FRAME B,C,D,E,F,G,H 1:300

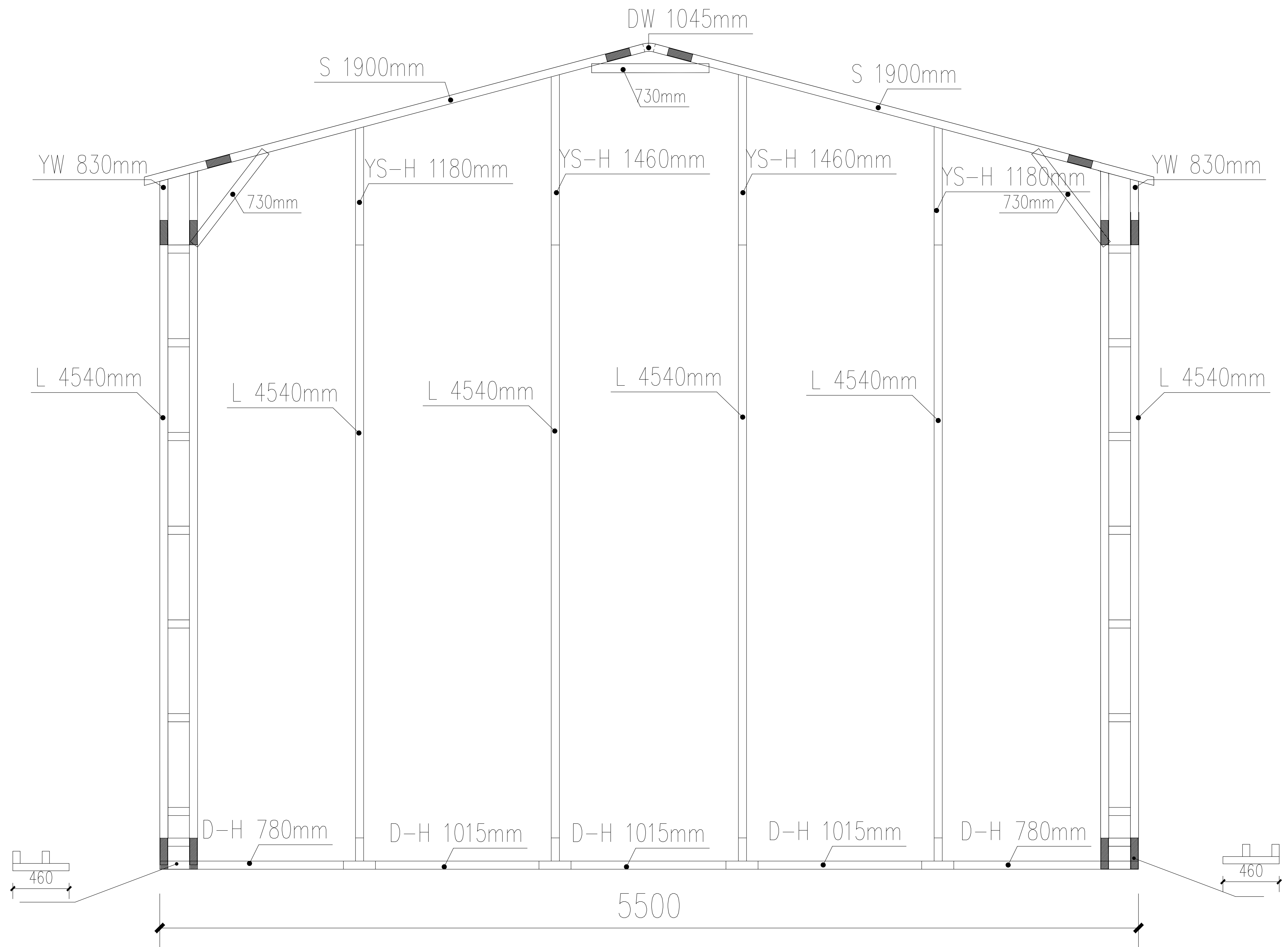
1. When using this drawing, please refer to the professional drawings at the same time. If you have any questions, please contact the designer in time.
2. The construction company shall not change the drawings at will. All changes must be approved by the designer.
3. Please do not measure this figure on a scale, all dimensions are based on the figures in the figure.
4. The version of this drawing belongs to our company.



1356 N 107TH ST  
 MESA AZ 85207  
 400-993-4000  
 www.stlindustrial.com

PROJECT NAME	24'X24'X8' Two Cars Garage
BUILDING LOCATION	U.S.A.
DWG.NAME	Pillars Layout
DESIGN	SANHE
CHECKED BY	SANHE
PHASE	
DATE	2023-7
Drawing NO.	10
Project NO.	10/07





FRAME J 1:300

1. When using this drawing, please refer to the professional drawings at the same time. If you have any questions, please contact the designer in time.
2. The construction company shall not change the drawings at will. All changes must be approved by the designer.
3. Please do not measure this figure on a scale, all dimensions are based on the figures in the figure.
4. The version of this drawing belongs to our company.

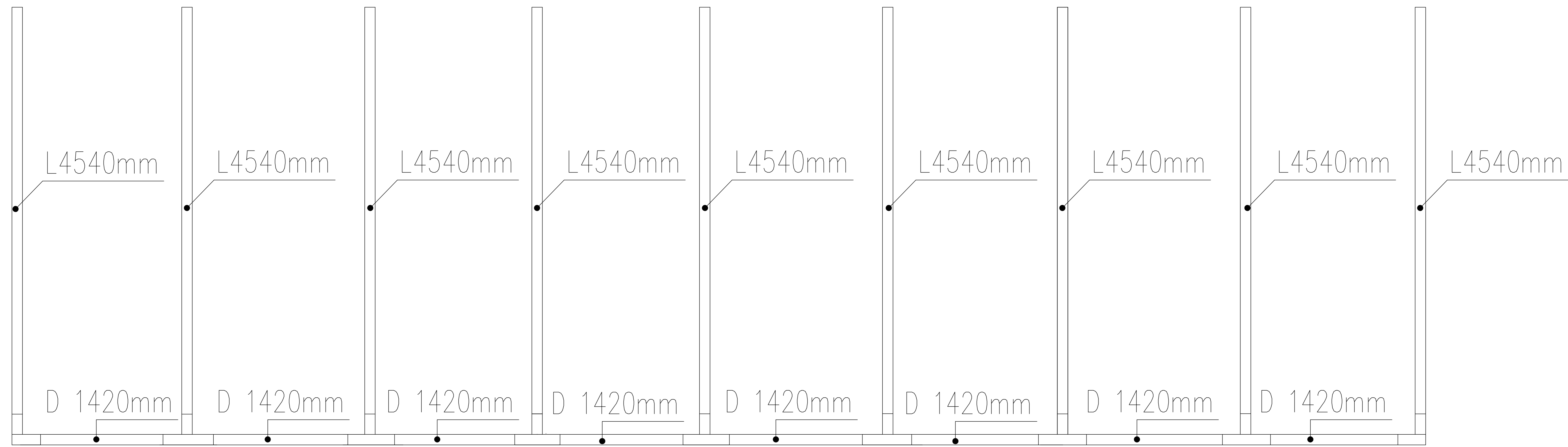


1356 N 107TH ST  
 MESA AZ 85207  
 400-993-4000  
 www.stlindustrial.com

PROJECT NAME	24'x24'x8' Two Cars Garage
BUILDING LOCATION	U.S.A.
DWG.NAME	Pillars Layout
DESIGN	SANHE
CHECKED BY	SANHE
PHASE	
DATE	2023-7
Drawing NO.	11
Project NO.	10/07



1. When using this drawing, please refer to the professional drawings at the same time. If you have any questions, please contact the designer in time.
2. The construction company shall not change the drawings at will. All changes must be approved by the designer.
3. Please do not measure this figure on a scale, all dimensions are based on the figures in the
4. The version of this drawing belongs to our company.



Double ground beams and joints

# FRAME 1 1:300

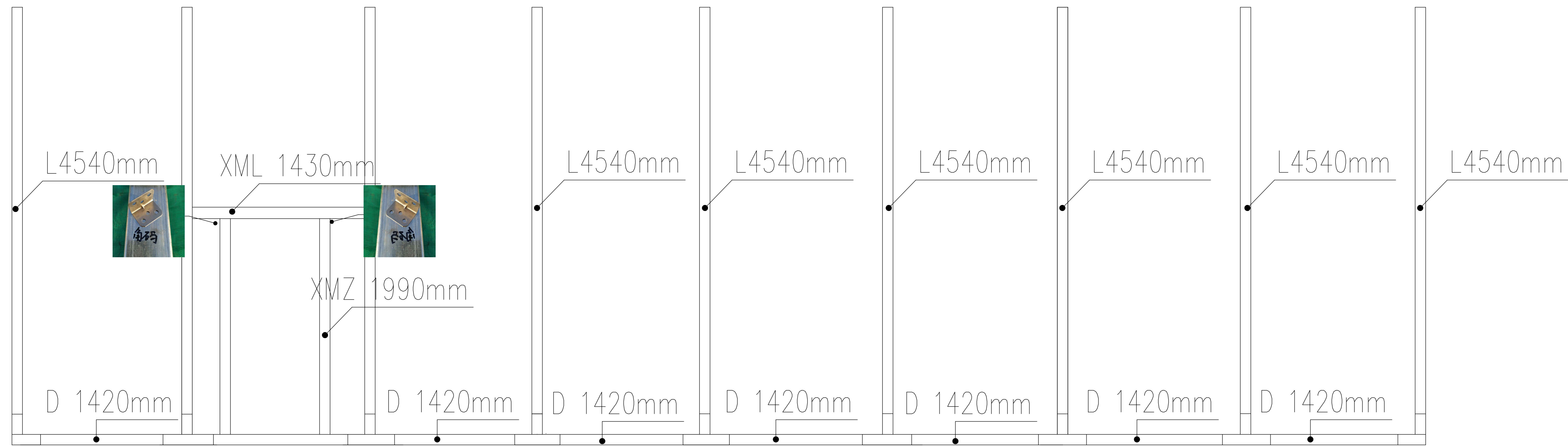


1356 N 107TH ST  
 MESA AZ 85207  
 400-993-4000  
 www.stlindustrial.com

PROJECT NAME	
24'X24'X8' Two Cars Garage	
BUILDING LOCATION	
U.S.A.	
DWG.NAME	
Pillars Layout	
DESIGN	
SANHE	
CHECKED BY	
SANHE	
PHASE	
DATE	
2023-7	
Drawing NO.	12
Project NO.	10/07



1. When using this drawing, please refer to the professional drawings at the same time. If you have any questions, please contact the designer in time.
2. The construction company shall not change the drawings at will. All changes must be approved by the designer.
3. Please do not measure this figure on a scale, all dimensions are based on the figures in the figure.
4. The version of this drawing belongs to our company.



Double ground beams and joints

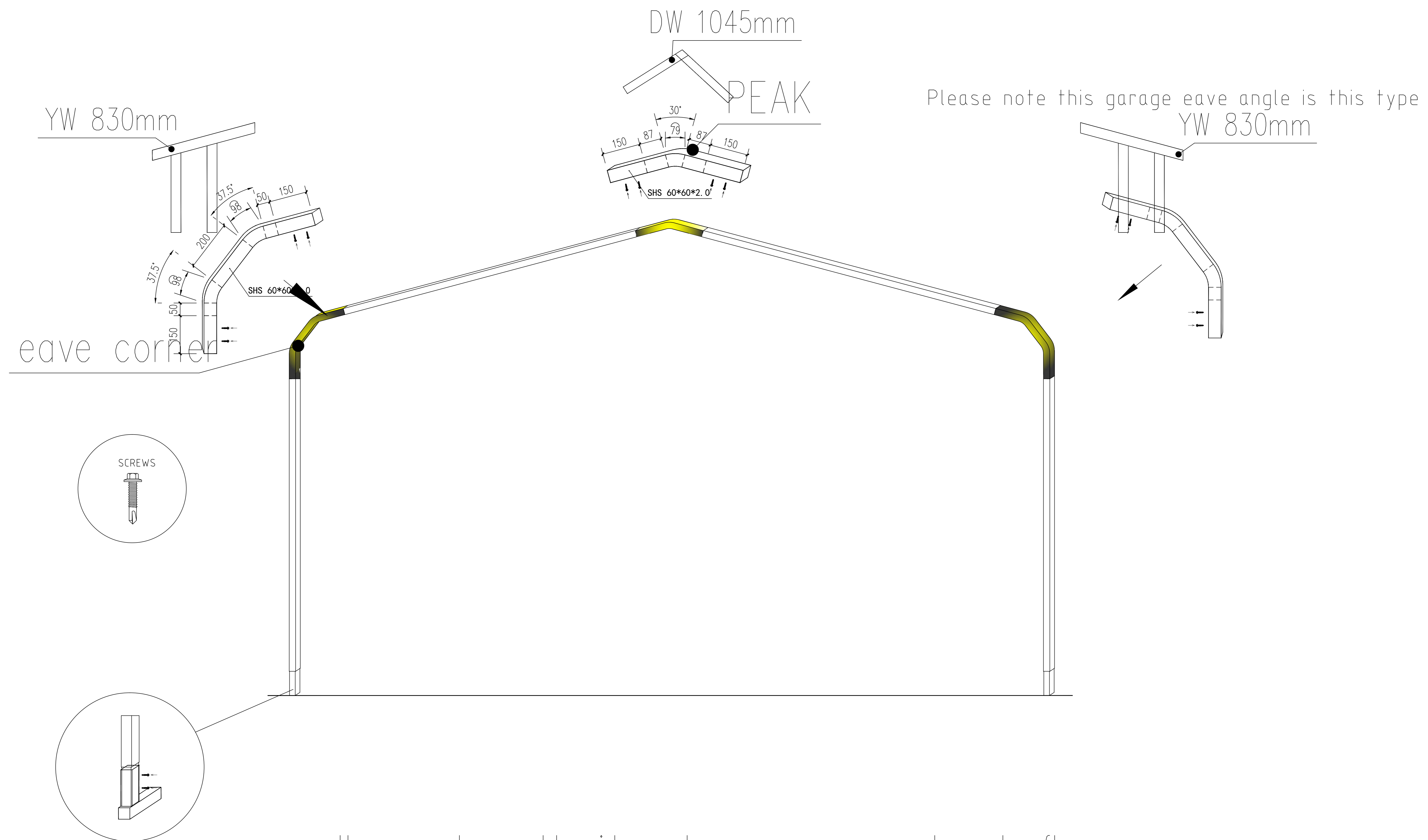
**FRAME 6 1:300**



1356 N 107TH ST  
 MESA AZ 85207  
 400-993-4000  
 www.stlindustrial.com

PROJECT NAME	24'X24'X8' Two Cars Garage
BUILDING LOCATION	U.S.A.
DWG.NAME	Pillars Layout
DESIGN	SANHE
CHECKED BY	SANHE
PHASE	
DATE	2023-7
Drawing NO.	13
Project NO.	10/07





on the ground, assemble side posts, eave corners, peak, and rafters.  
fasten the joints with screws. Use 2 screws in each joint.

## ROOF/SIDE FRAME ASSEMBLY 1:300

1. When using this drawing, please refer to the professional drawings at the same time. If you have any questions, please contact the designer in time.
2. The construction company shall not change the drawings at will. All changes must be approved by the designer.
3. Please do not measure this figure on a scale, all dimensions are based on the figures in the figure.
4. The version of this drawing belongs to our company.



1356 N 107TH ST  
MESA AZ 85207  
400-993-4000  
www.stlindustrial.com

PROJECT NAME

24'X24'X8' Two Cars Garage

BUILDING LOCATION

U.S.A.

DWG.NAME

Pillars Layout

DESIGN

SANHE

CHECKED BY

SANHE

PHASE

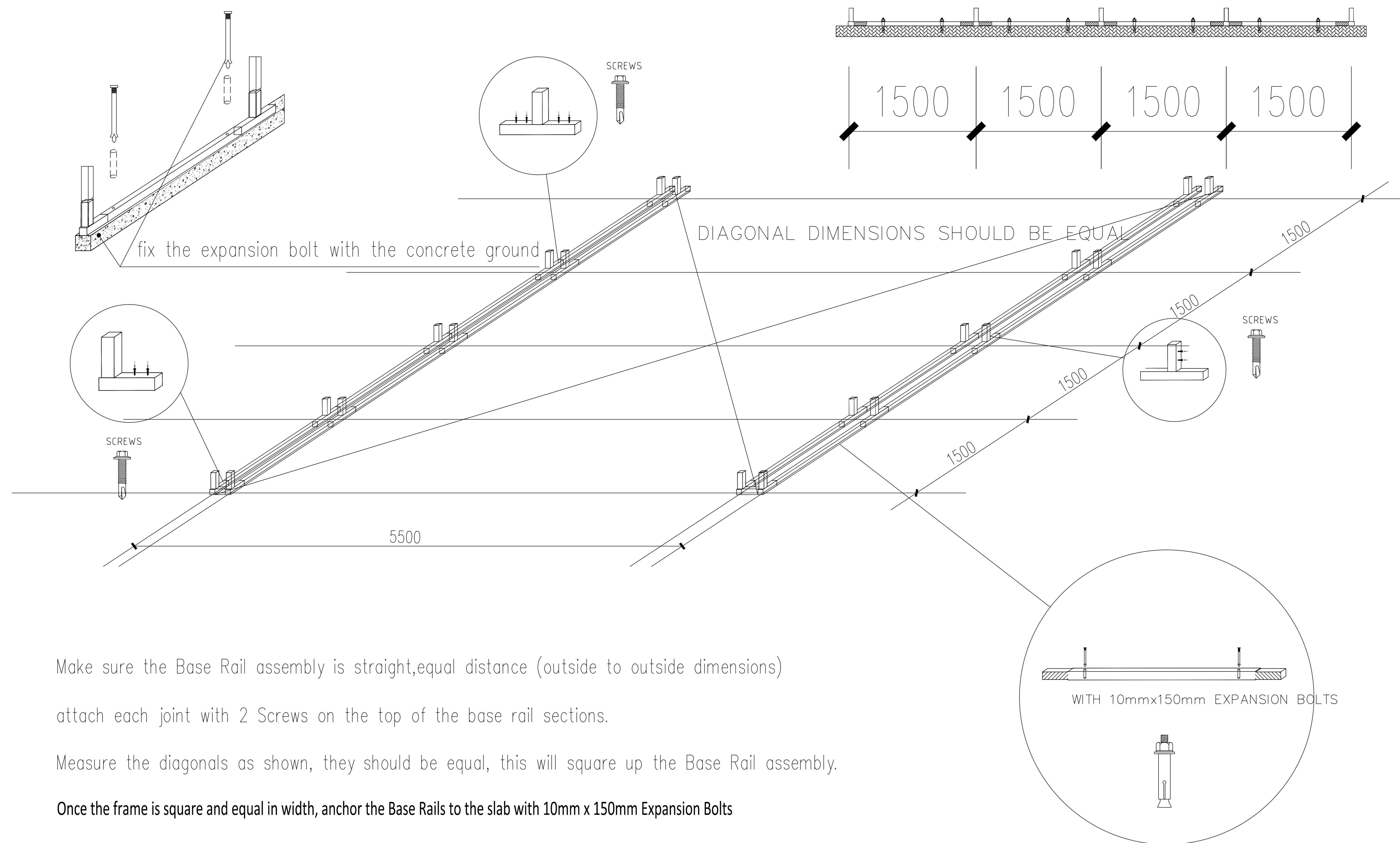
DATE

2023-7

Drawing NO. 14

Project NO. 10/07





Make sure the Base Rail assembly is straight, equal distance (outside to outside dimensions)

attach each joint with 2 Screws on the top of the base rail sections.

Measure the diagonals as shown, they should be equal, this will square up the Base Rail assembly.

Once the frame is square and equal in width, anchor the Base Rails to the slab with 10mm x 150mm Expansion Bolts

or other acceptable method depending on the surface. Carport must be secured to the ground properly.

## BASE RAIL DETAILS 1:300

1. When using this drawing, please refer to the professional drawings at the same time. If you have any questions, please contact the designer in time.
2. The construction company shall not change the drawings at will. All changes must be approved by the designer.
3. Please do not measure this figure on a scale, all dimensions are based on the figures in the figure.
4. The version of this drawing belongs to our company.



1356 N 107TH ST  
MESA AZ 85207  
400-993-4000  
www.stlindustrial.com

PROJECT NAME

24'X24'X8' Two Cars Garage

BUILDING LOCATION

U.S.A.

DWG.NAME

Pillars Layout

DESIGN

SANHE

CHECKED BY

SANHE

PHASE

DATE

2023-7

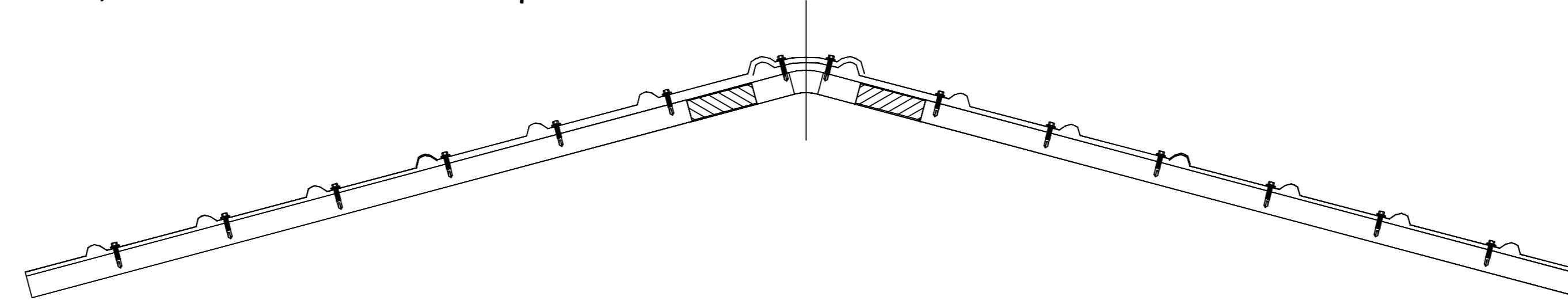
Drawing NO. 15

Project NO. 10/07

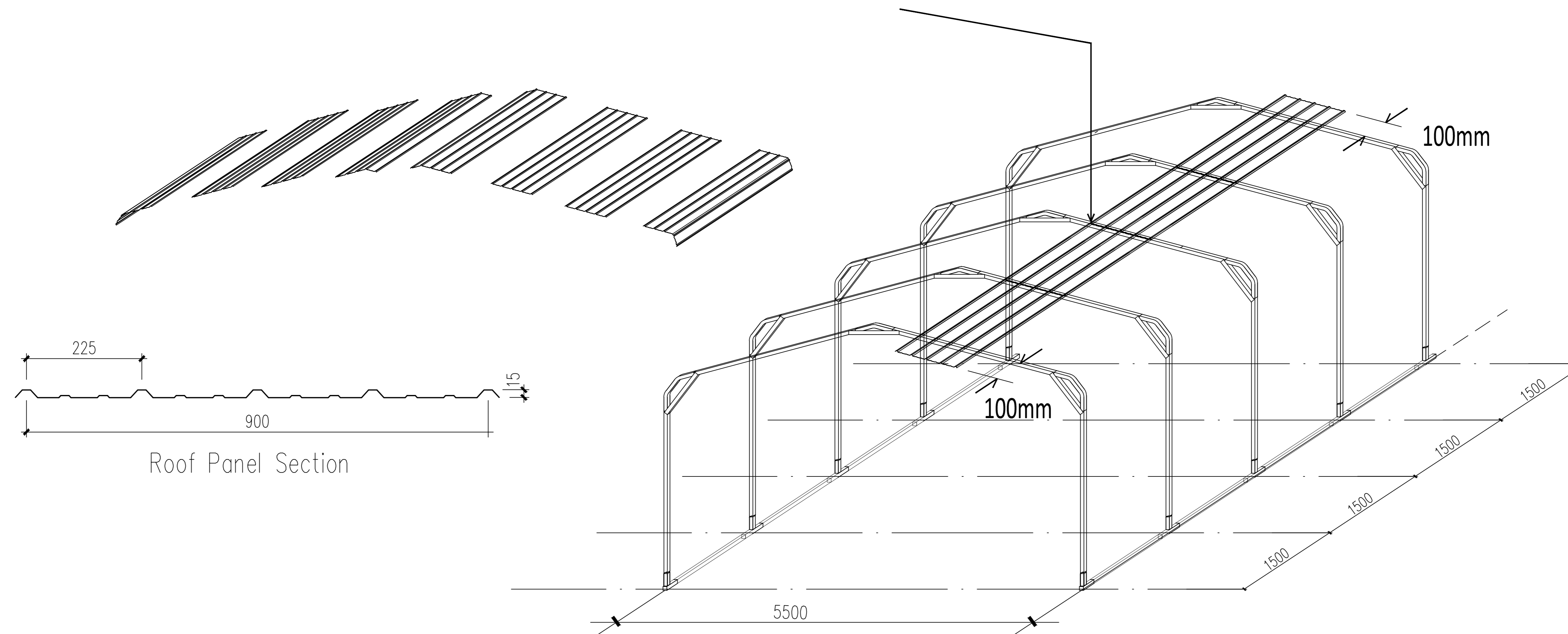


**FINDING THE CENTER OF EACH PEAK:**

Before you install the first course of roof panels down the center of the roof you must find the center of each peak. Make center marks on the front, center and back frame peak tubes.



When the panel is lined up attach the panel to the frame with painted self-drilling screws in the pattern shown in the illustration below. (When complete, you will use one screw on both sides of each major rib.)



**ROOF PANELS INSTALLATION 1:100**

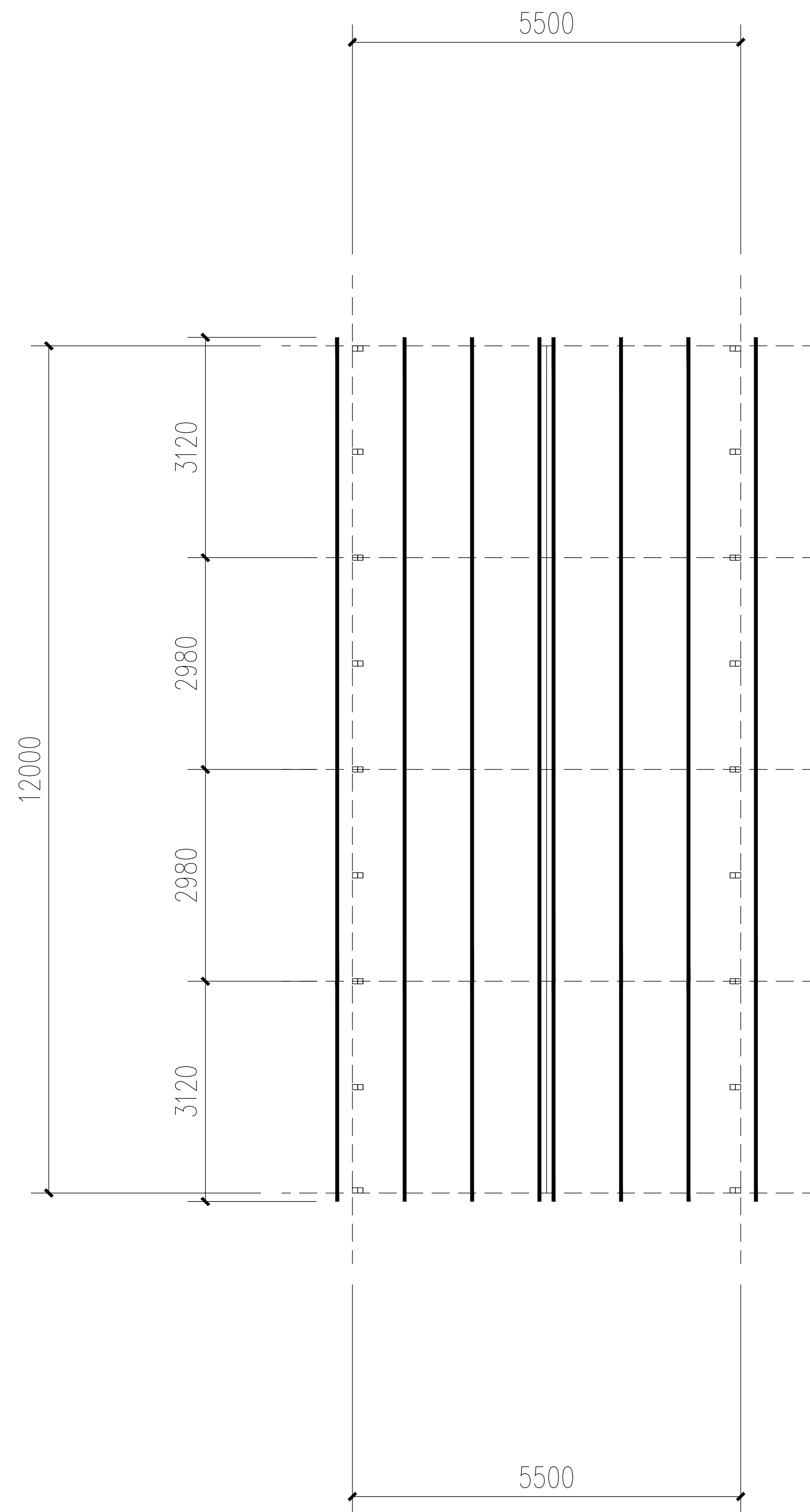
1. When using this drawing, please refer to the professional drawings at the same time. If you have any questions, please contact the designer in time.
2. The construction company shall not change the drawings at will. All changes must be approved by the designer.
3. Please do not measure this figure on a scale, all dimensions are based on the figures in the figure.
4. The version of this drawing belongs to our company.



1356 N 107TH ST  
MESA AZ 85207  
400-993-4000  
www.stlindustrial.com

PROJECT NAME	24'X24'X8' Two Cars Garage
BUILDING LOCATION	U.S.A.
DWG.NAME	Pillars Layout
DESIGN	SANHE
CHECKED BY	SANHE
PHASE	
DATE	2023-7
Drawing NO.	16
Project NO.	10/07

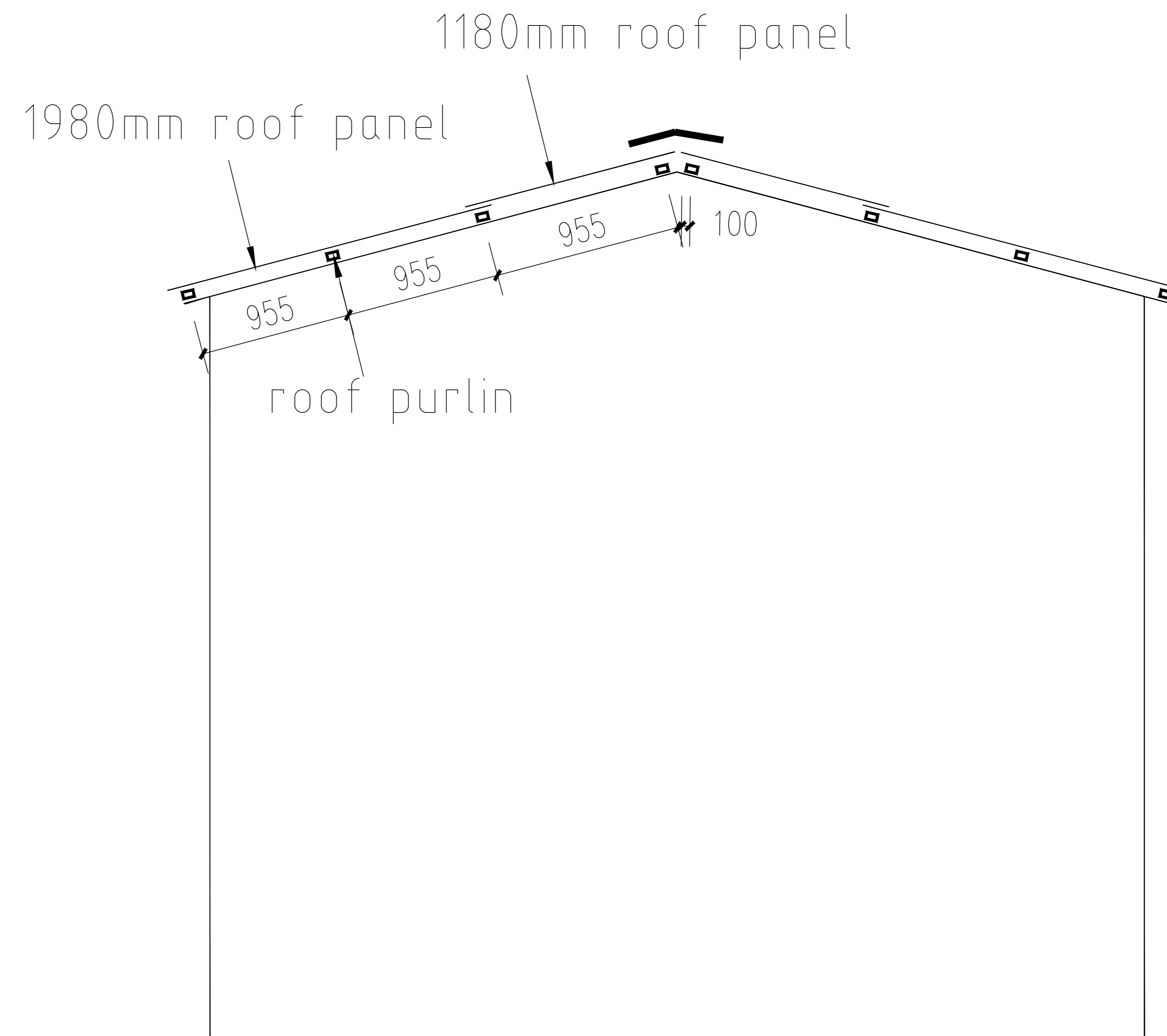




All roof purlin size 40x20x2.0mm

16pcs 3120mm

16pcs 2980mm



## Roof Purlin Layout 1:300

1. When using this drawing, please refer to the professional drawings at the same time. If you have any questions, please contact the designer in time.
2. The construction company shall not change the drawings at will. All changes must be approved by the designer.
3. Please do not measure this figure on a scale, all dimensions are based on the figures in the figure.
4. The version of this drawing belongs to our company.



1356 N 107TH ST  
MESA AZ 85207  
400-993-4000  
www.stlindustrial.com

PROJECT NAME

24'x24'x8' Two Cars Garage

BUILDING LOCATION

U.S.A.

DWG.NAME

Pillars Layout

DESIGN

SANHE

CHECKED BY

SANHE

PHASE

DATE

2023-7

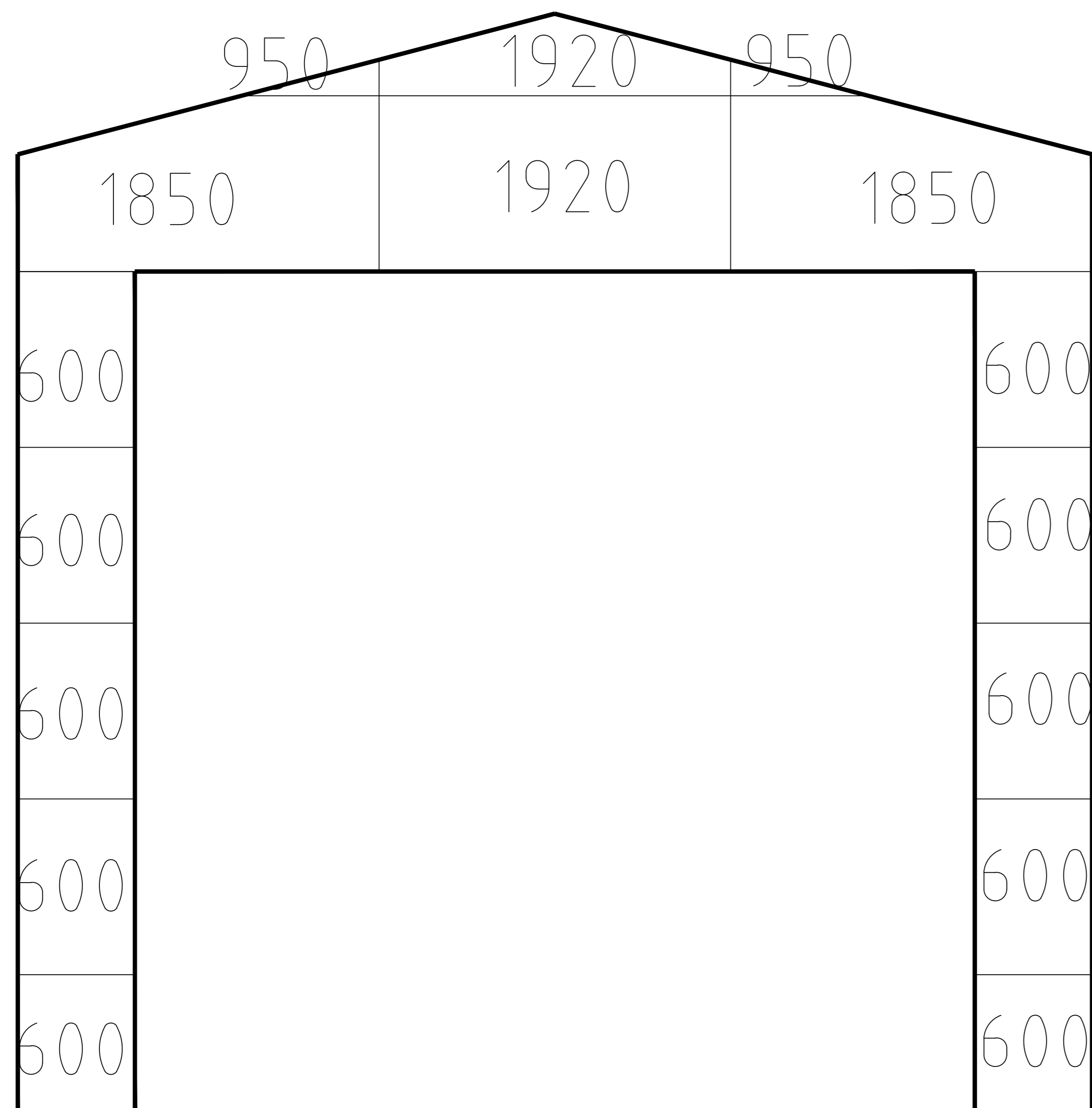
Drawing NO. 17

Project NO. 10/07

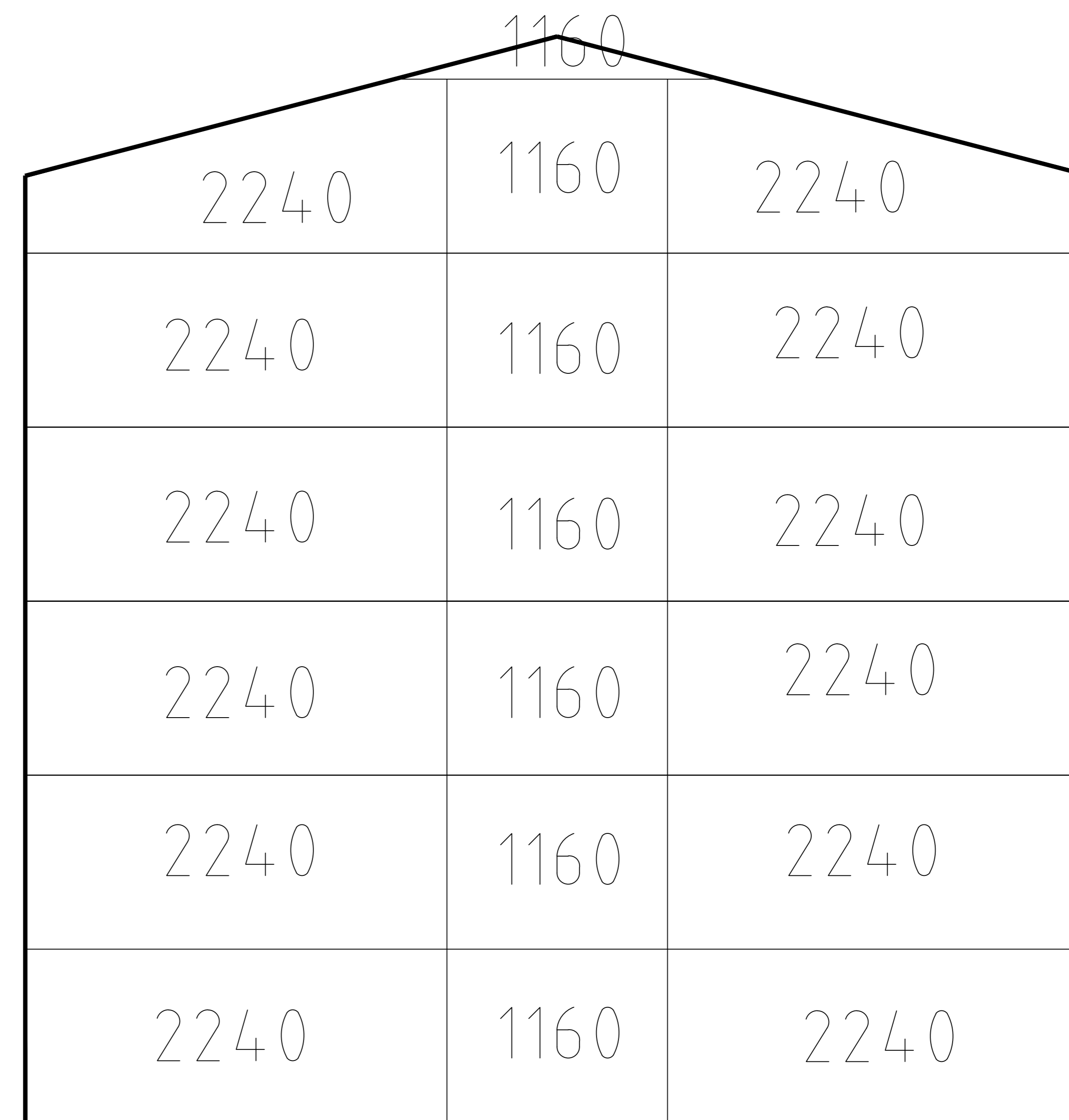




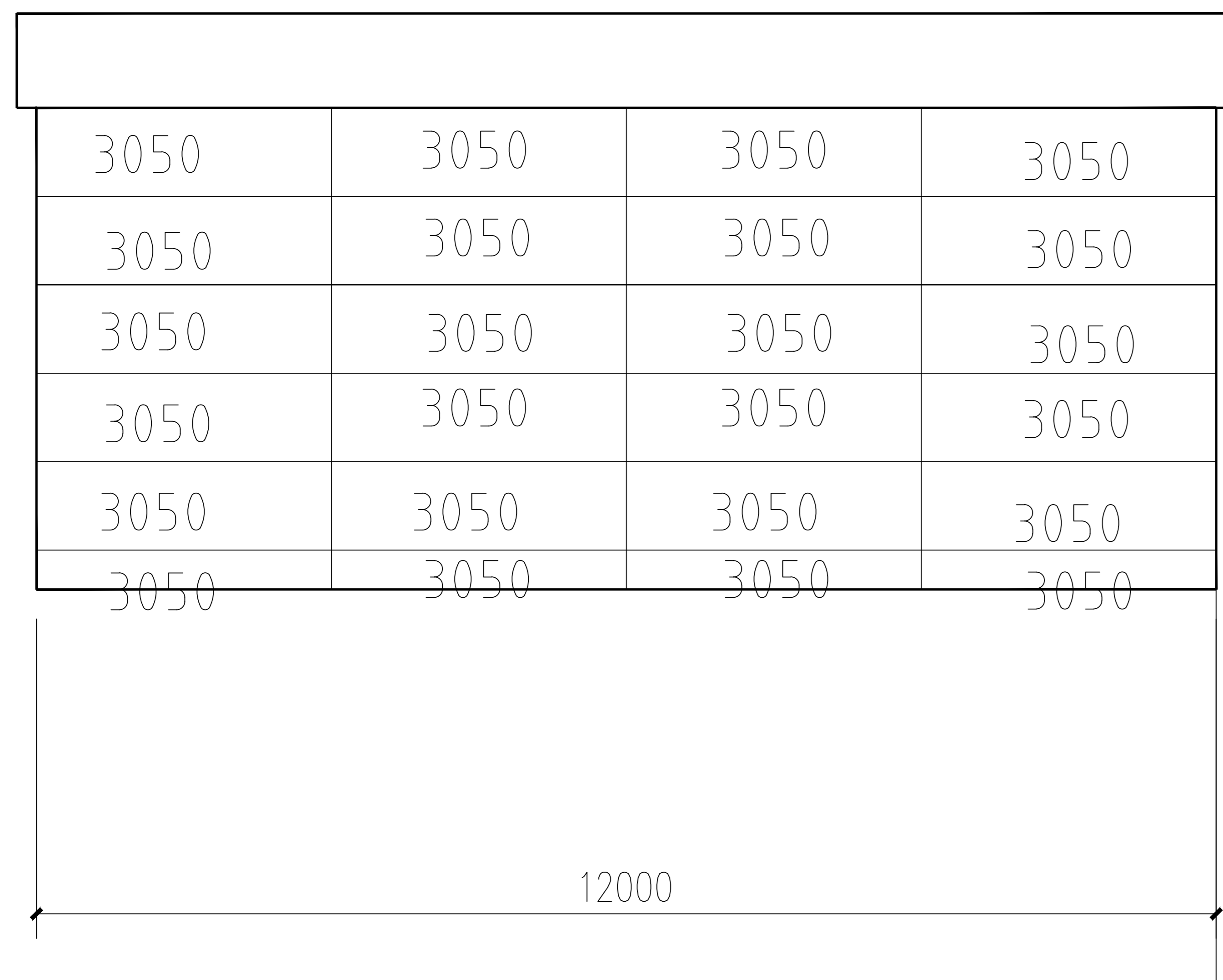




**Garage Front Wall 1:100**



**Garage Back Wall 1:100**



**Garage Left & Right Wall 1:100**

All wall panel 50mm overlap

1. When using this drawing, please refer to the professional drawings at the same time. If you have any questions, please contact the designer in time.
2. The construction company shall not change the drawings at will. All changes must be approved by the designer.
3. Please do not measure this figure on a scale, all dimensions are based on the figures in the figure.
4. The version of this drawing belongs to our company.



1356 N 107TH ST  
MESA AZ 85207  
400-993-4000  
www.stlindustrial.com

PROJECT NAME

24'X24'X8' Two Cars Garage

BUILDING LOCATION

U.S.A.

DWG.NAME

Pillars Layout

DESIGN

SANHE

CHECKED BY

SANHE

PHASE

DATE

2023-7

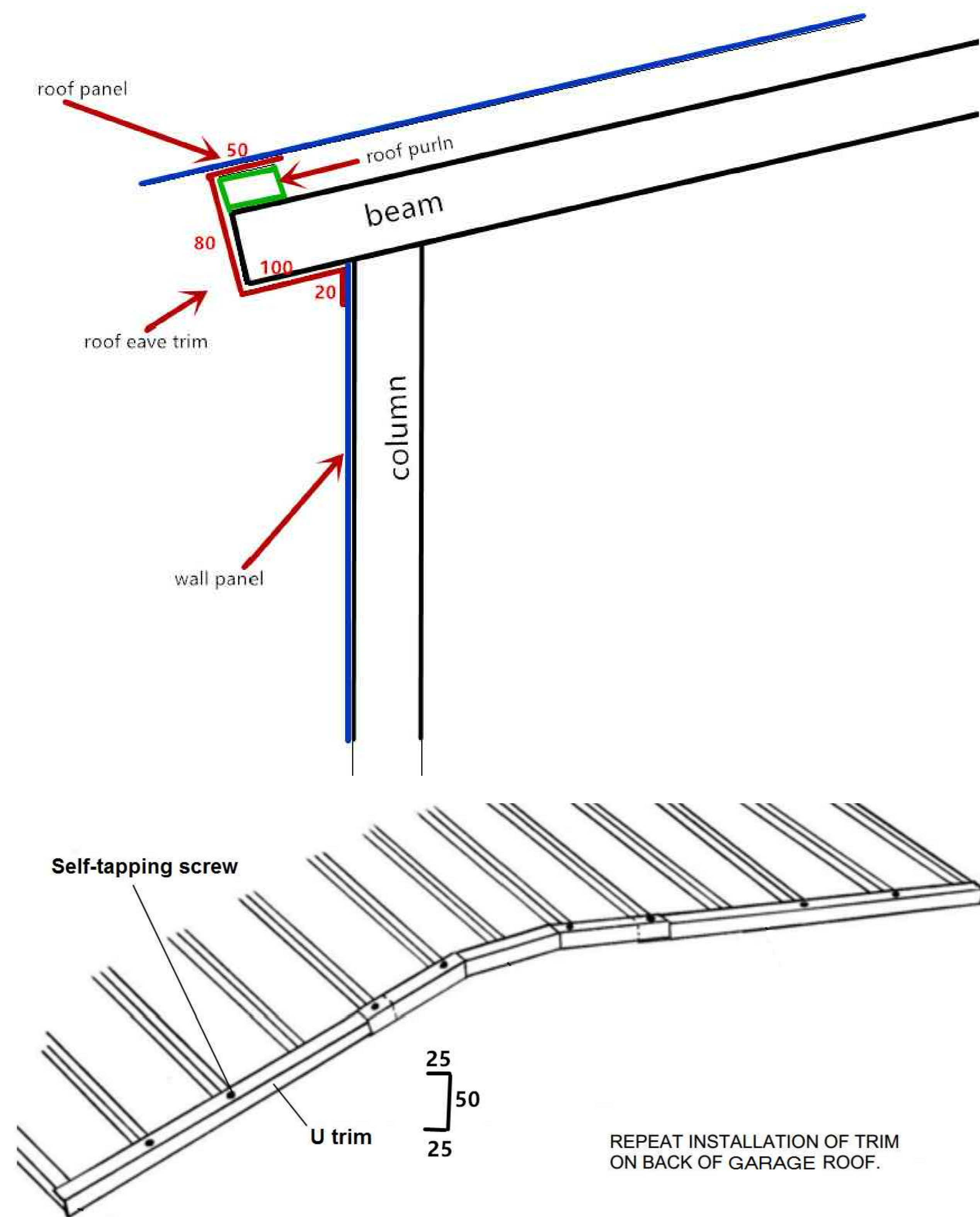
Drawing NO. 19

Project NO. 10/07





8pcs 1800mm (25x50x25) for roof  
 8pcs 2500mm (80x80) for wall corner  
 24pcs 1800mm (50x80x100x20) for roof eave  
 6pcs 2200mm (125x125) for roof ridge  
 6pcs 2300mm(60x80x60) for roller door  
 2pcs 2100mm, 1 pcs 1100mm (60x80x60) for small door



ROOF & WALL PANELS TRIMS 1:100

1. When using this drawing, please refer to the professional drawings at the same time. If you have any questions, please contact the designer in time.
2. The construction company shall not change the drawings at will. All changes must be approved by the designer.
3. Please do not measure this figure on a scale, all dimensions are based on the figures in the figure.
4. The version of this drawing belongs to our company.



1356 N 107TH ST  
 MESA AZ 85207  
 400-993-4000  
 www.stlindustrial.com

PROJECT NAME	24'x24'x8' Two Cars Garage
BUILDING LOCATION	U.S.A.
DWG.NAME	Pillars Layout
DESIGN	SANHE
CHECKED BY	SANHE
PHASE	
DATE	2023-7
Drawing NO	20
Project NO	10/07